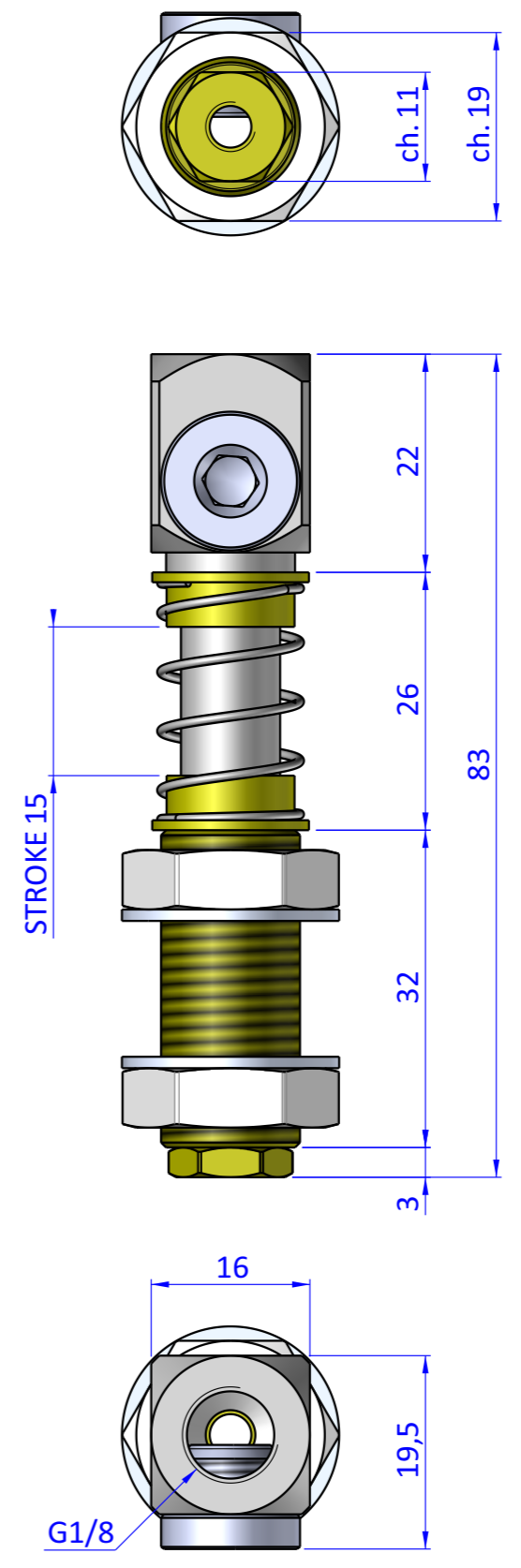
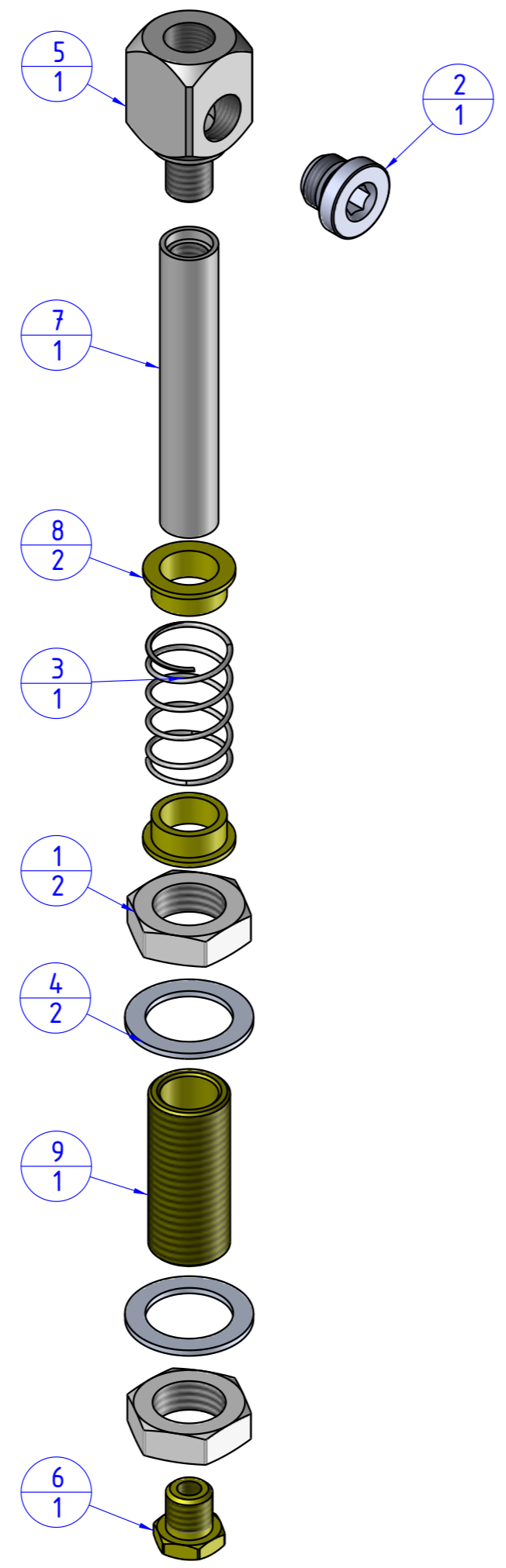



THE PROPERTY OF THE DRAWING IS ESTABLISHED BY LAW. IT IS FORBIDDEN TO PRODUCE OR SHOW IT TO THIRD PART. WITHOUT A WRITTEN AGREEMENT.

Item	Name	Q.ty
1	05.01.001.06	2
2	CA.08.14.014	1
3	M.15x35	1
4	R.14.SCH	2
5	SAE.14181815.1	1
6	SAE.14181815.5	1
7	SAR.14181815.2	1
8	SAR.14181815.4	2
9	SARG.14181815.3	1



Format A3
UNI 936-76

 FPS FPSERVICES AUTOMATION		DESIGNED FROM		REVIEW
		FPS Automation		A
GENERAL TOLERANCE		DATE	WEIGHT	
UNI - ISO 2768		19/11/2022	0,065kg	
CLASSE f		CODE		
		CA.SARG.14181815		CA.SARG.14181815